

Quick Release Star Knobs

Steel / Stainless Steel

SPECIFICATION

Plastic
Technopolymer (Polyamide PA)

- shock-resistant
- black, matt finish

Bushing
Steel zinc plated, blue passivated
Stainless Steel AISI 303 **NI**

INFORMATION

Quick release star knobs GN 6336.3 are used in such applications where the knob has to be completely removed after the releasing operation and refitted rapidly for re-clamping.

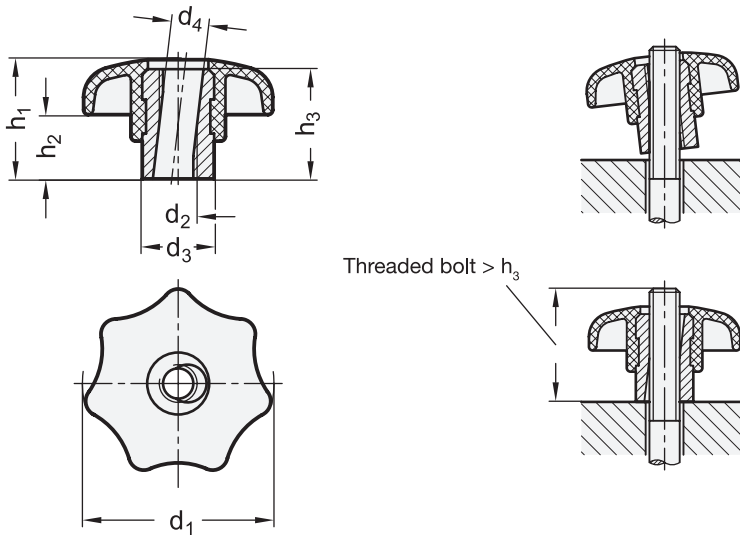
The knob is tilted over the threaded spindle. When in position, the knob is brought into a straight position for meshing of the two threads on nut and spindle. The knob will then have to be turned only by fraction of a rotation to achieve clamping.

Functional safety exists only if the clamping surface lies at a right angle to the threaded bolt.



TECHNICAL INFORMATION

- Plastic characteristics (see page A2)
- Stainless Steel characteristics (see page A26)



GN 6336.3-ST

Description	d1	d2	d3	d4	h1	h2 ≈	h3 min.	⚖
GN 6336.3-40-M8	40	M 8	16	8.4	26	14	23.5	32
GN 6336.3-50-M10	50	M 10	20	10.5	32	17	29	61
GN 6336.3-63-M12	63	M 12	26	13	40	21	36	121

GN 6336.3-NI

STAINLESS STEEL

Description	d1	d2	d3	d4	h1	h2 ≈	h3 min.	⚖
GN 6336.3-40-M8-NI	40	M 8	16	8.4	26	14	23.5	32
GN 6336.3-50-M10-NI	50	M 10	20	10.5	32	17	29	59
GN 6336.3-63-M12-NI	63	M 12	26	13	40	21	36	131